



The WÖHR Bikesafe is a secure and space-saving parking system for bicycles. On 4 to 8 parking levels, up to 192 bicycles can be parked above ground in a tower and/or up to 192 bicycles can be parked above ground in a tower and/or underground in a shaft.

- Automatic parking system for bicycles and e-bikes
- Extremely fast access times from the request to the retrieval of the bikes
- Only approx. 50 m² floor space required
- Child seats and bicycle bags can be stored
- E-bike batteries can be charged at separate charging stations
- Operation via RFID chips and online booking platforms
- Individual facade design possible

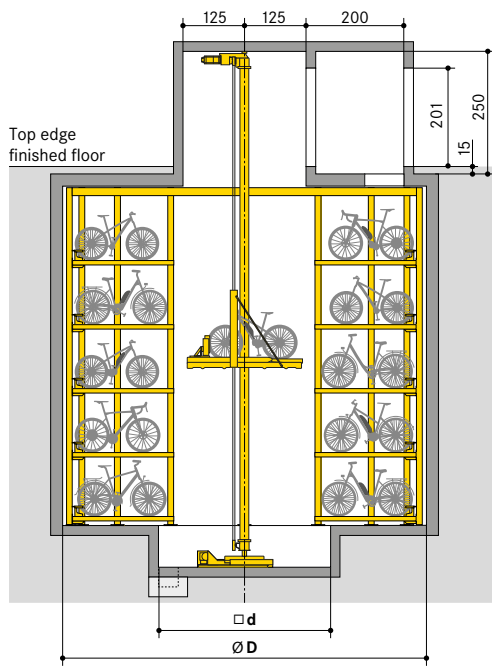
Bicycle dimensions:

- Height up to 120 and 140 cm
- Two bicycle heights in one system
- Length min. 150 cm up to max. 200 cm
- For two different handlebar widths of max. 76 cm or max. 83 cm
- Max. weight 30 kg
- Wheel diameter min. 24" to max. 29"
- Tyre width min. 2.2 cm to max. 8 cm

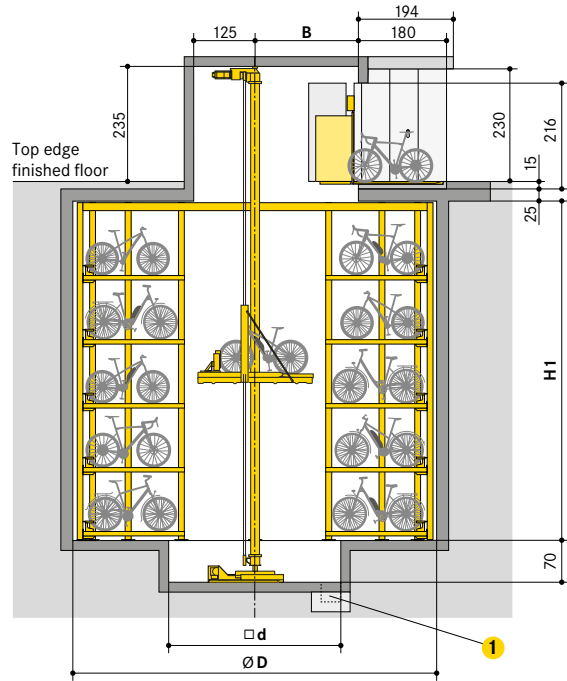
BIKESAFE 885 | Shaft system | 16 parking spaces per level

Parking levels	Handlebar width	Parking spaces per level	Parking spaces in total	Parking spaces 140 cm height	H1	D	d	B
4	76	16	64	16	560	740	350	211
	83	16	64	16	560	770	350	226
5	76	16	80	16	690	740	350	211
	83	16	80	16	690	770	350	226
6	76	16	96	32	840	740	350	211
	83	16	96	32	840	770	350	226
7	76	16	122	32	970	740	350	211
	83	16	122	32	970	770	350	226
8	76	16	128	32	1100	740	350	211
	83	16	128	32	1100	770	350	226

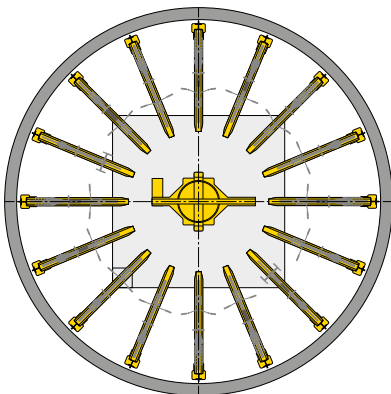
Front view



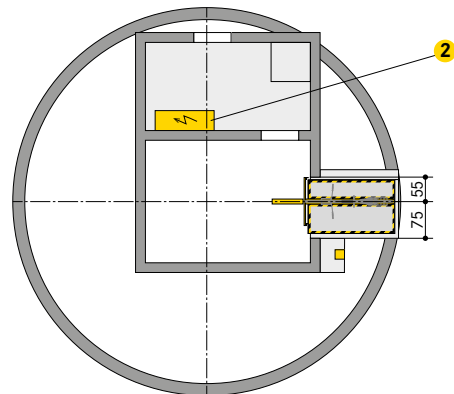
Side view



Section parking level



Section entrance level

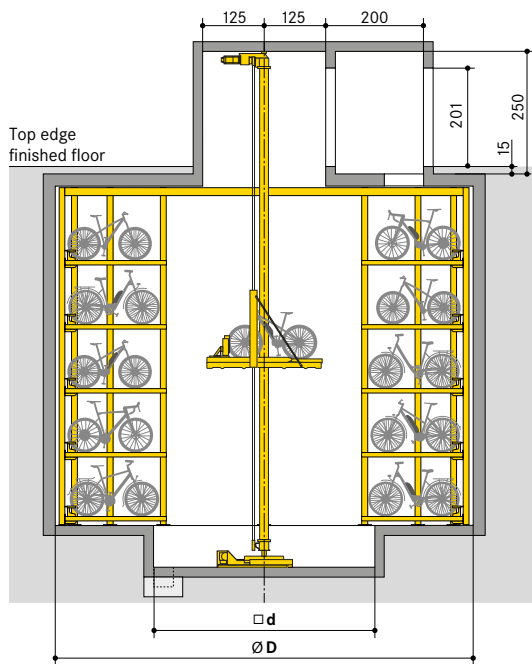


- 1 Drainage:
 - customer performed pump sump with connection to the sewer system min. 40 x 40 x 40 cm
 - Roof drainage through internal downpipe to the pump sump
- 2 Switch cabinet can also be positioned underground in an adjacent room

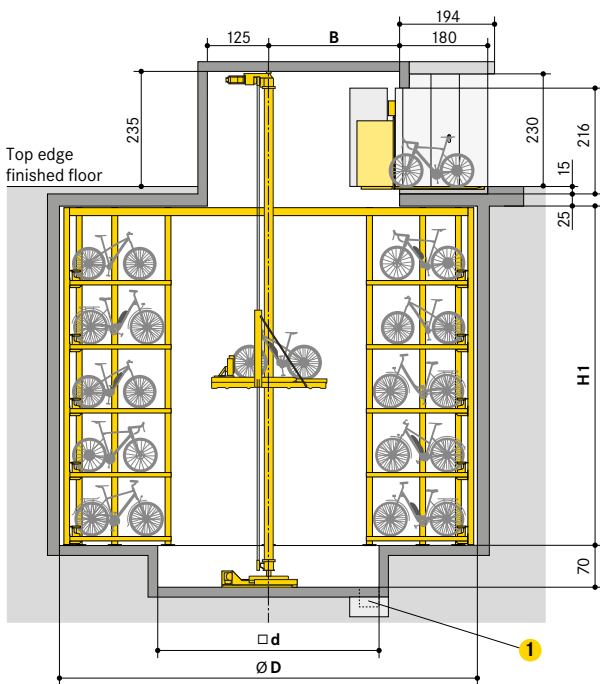
BIKESAFE 885 | Shaft system | 20 parking spaces per level

Parking levels	Handlebar width	Parking spaces per level	Parking spaces in total	Parking spaces 140 cm height	H1	D	d	B
4	76	20	80	20	560	850	450	266
	83	20	80	20	560	890	500	286
5	76	20	100	20	690	850	450	266
	83	20	100	20	690	890	500	286
6	76	20	120	40	840	850	450	266
	83	20	120	40	840	890	500	286
7	76	20	140	40	970	850	450	266
	83	20	140	40	970	890	500	286
8	76	20	160	40	1100	850	450	266
	83	20	160	40	1100	890	500	286

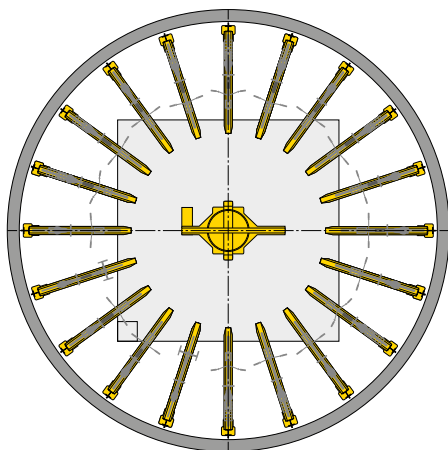
Front view



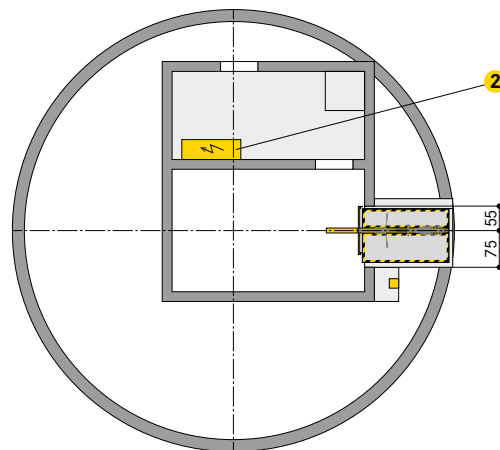
Side view



Section parking level



Section entrance level

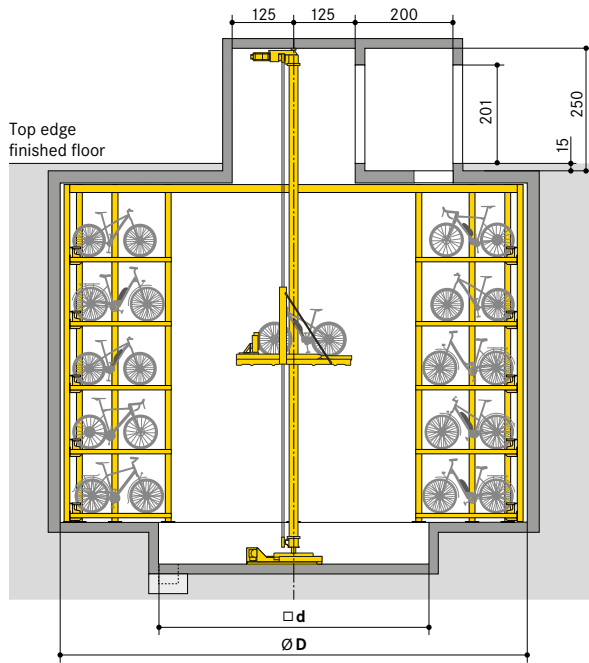


- 1** Drainage:
 - customer performed pump sump with connection to the sewer system min. 40 x 40 x 40 cm
 - Roof drainage through internal downpipe to the pump sump
- 2** Switch cabinet can also be positioned underground in an adjacent room

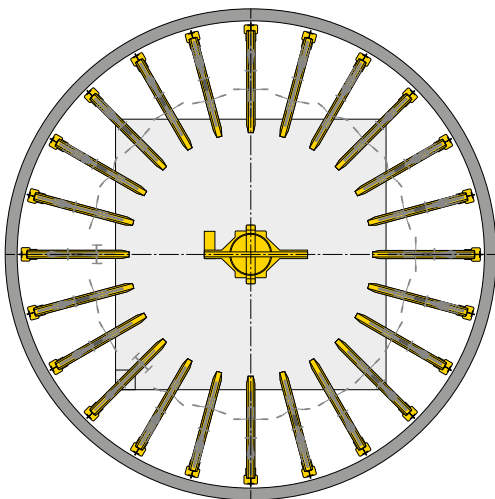
BIKESAFE 885 | Shaft system | 24 parking spaces per level

Parking levels	Handlebar width	Parking spaces per level	Parking spaces in total	Parking spaces 140 cm height	H1	D	d	B
4	76	24	96	24	560	950	550	316
	83	24	96	24	560	1010	600	346
5	76	24	120	24	690	950	550	316
	83	24	120	24	690	1010	600	346
6	76	24	144	48	840	950	550	316
	83	24	144	48	840	1010	600	346
7	76	24	168	48	970	950	550	316
	83	24	168	48	970	1010	600	346
8	76	24	192	48	1100	950	550	316
	83	24	192	48	1100	1010	600	346

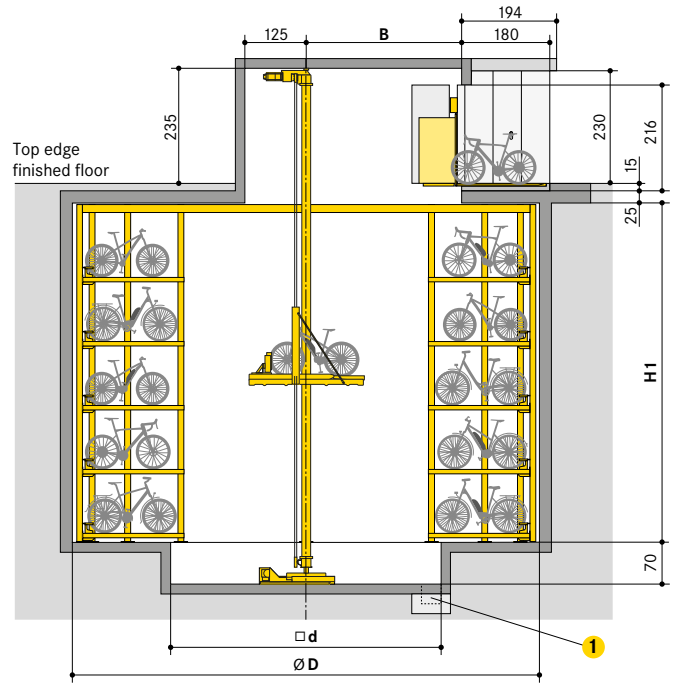
Front view



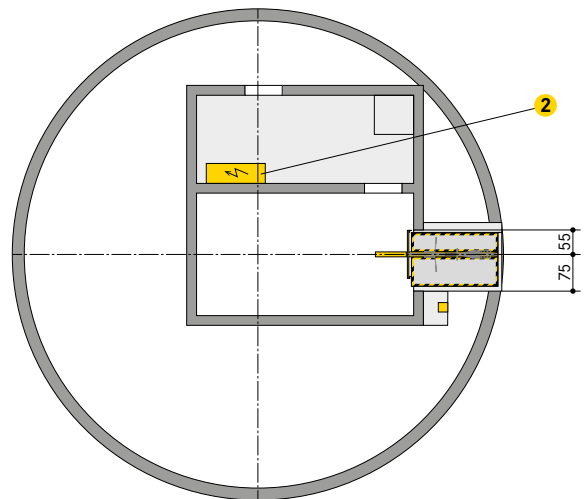
Section parking level



Side view



Section entrance level

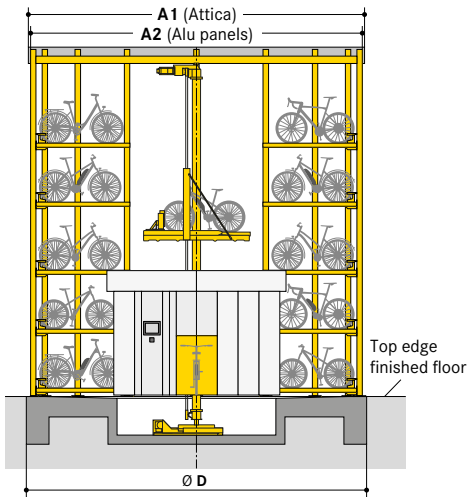


- 1** Drainage:
 - customer performed pump sump with connection to the sewer system min. 40 x 40 x 40 cm
 - Roof drainage through internal downpipe to the pump sump
- 2** Switch cabinet can also be positioned underground in an adjacent room

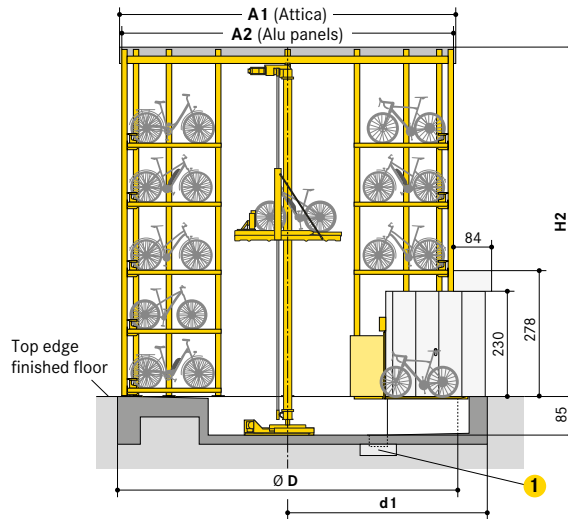
BIKESAFE 885 | Tower system | 16 parking spaces per level

Parking levels	Handlebar width	Parking spaces per level	Parking spaces in total	Parking spaces 140 cm height	H2	D	d	d1	B	A1	A2
4	76	16	58	16	630	760	395	440	390	741	731
	83	16	58	16	630	780	405	455	400	771	761
5	76	16	74	16	770	760	395	440	390	741	731
	83	16	74	16	770	780	405	455	400	771	761
6	76	16	90	32	905	760	395	440	390	741	731
	83	16	90	32	905	780	405	455	400	771	761
7	76	16	106	32	1045	760	395	440	390	741	731
	83	16	106	32	1045	780	405	455	400	771	761
8	76	16	122	32	1180	760	395	440	390	741	731
	83	16	122	32	1180	780	405	455	400	771	761

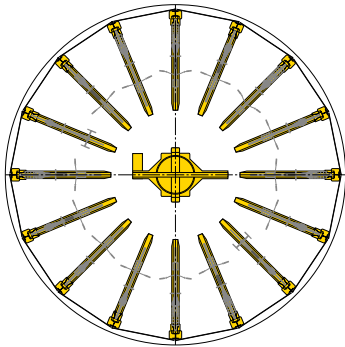
Front view



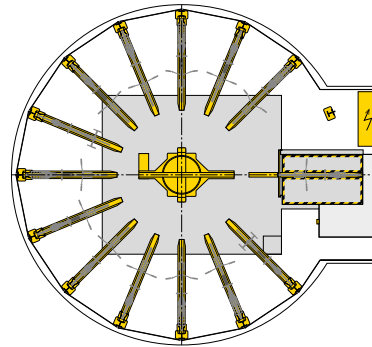
Side view



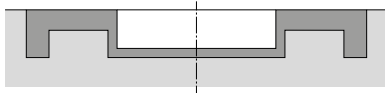
Section parking level



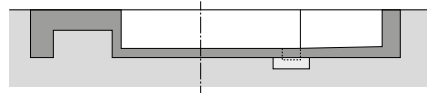
Section entrance level



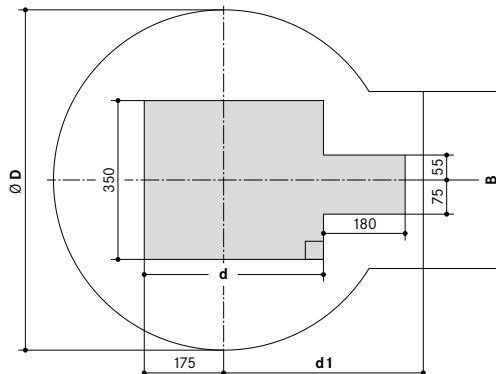
Front view of foundation



Side view of foundation



Top view of foundation

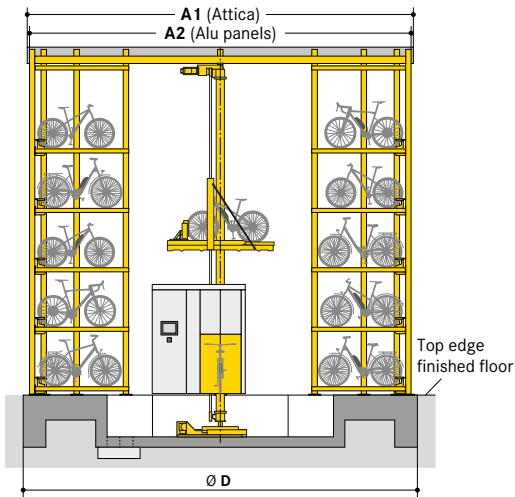


- 1** Drainage:
- customer performed pump sump with connection to the sewer system min. 40 x 40 x 40 cm
 - Roof drainage through internal downpipe to the pump sump

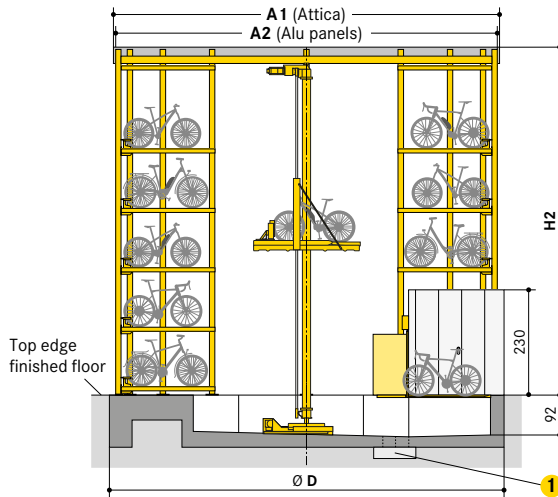
BIKESAFE 885 | Tower system | 20 parking spaces per level

Parking levels	Handlebar width	Parking spaces per level	Parking spaces in total	Parking spaces 140 cm height	H2	D	d	A1	A2
4	76	20	72	20	630	870	450	851	841
	83	20	72	20	630	910	500	891	881
5	76	20	92	20	770	870	450	851	841
	83	20	92	20	770	910	500	891	881
6	76	20	112	40	905	870	450	851	841
	83	20	112	40	905	910	500	891	881
7	76	20	132	40	1045	870	450	851	841
	83	20	132	40	1045	910	500	891	881
8	76	20	152	40	1180	870	450	851	841
	83	20	152	40	1180	910	500	891	881

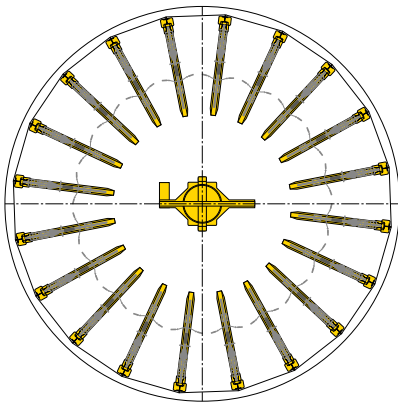
Front view



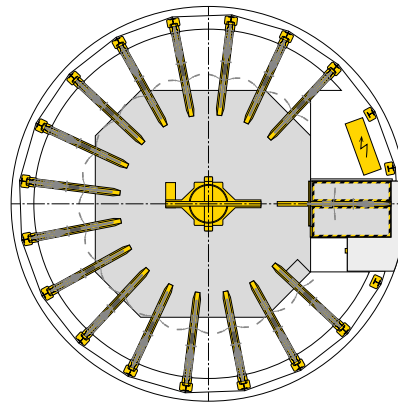
Side view



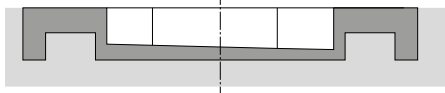
Section parking level



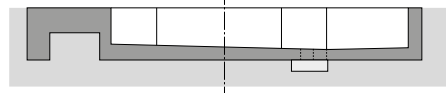
Section entrance level



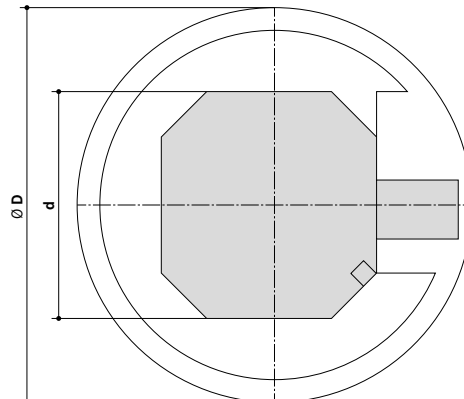
Front view of foundation



Side view of foundation



Top view of foundation

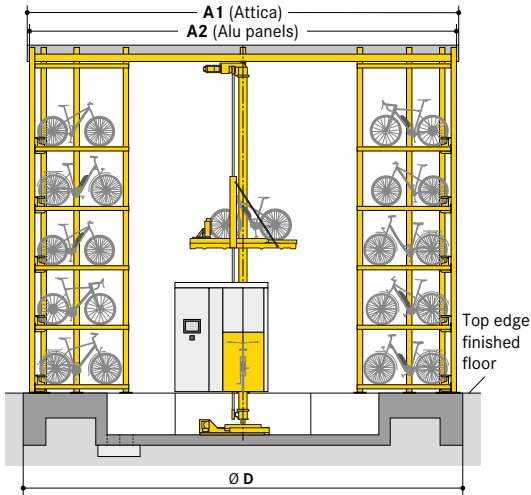


- 1** Drainage:
- customer performed pump sump with connection to the sewer system min. 40 x 40 x 40 cm
 - Roof drainage through internal downpipe to the pump sump

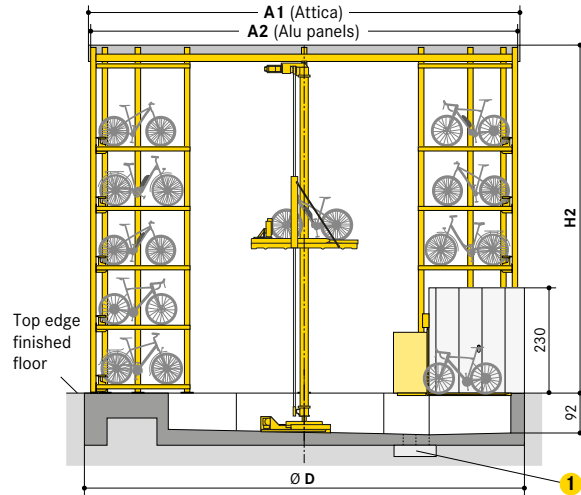
BIKESAFE 885 | Tower system | 24 parking spaces per level

Parking levels	Handlebar width	Parking spaces per level	Parking spaces in total	Parking spaces 140 cm height	H2	D	d	A1	A2
4	76	24	88	24	630	970	550	951	941
	83	24	88	24	630	1030	600	1011	1001
5	76	24	112	24	770	970	550	951	941
	83	24	112	24	770	1030	600	1011	1001
6	76	24	136	48	905	970	550	951	941
	83	24	136	48	905	1030	600	1011	1001
7	76	24	160	48	1045	970	550	951	941
	83	24	160	48	1045	1030	600	1011	1001
8	76	24	184	48	1180	970	550	951	941
	83	24	184	48	1180	1030	600	1011	1001

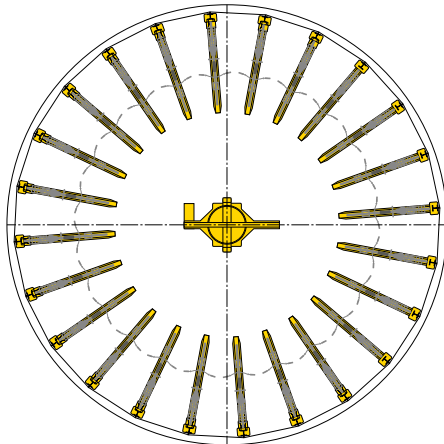
Front view



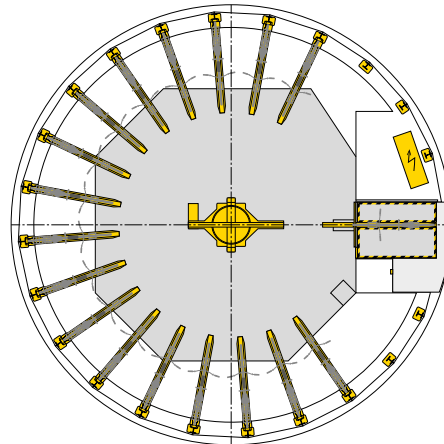
Side view



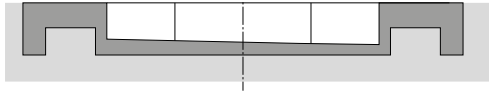
Section parking level



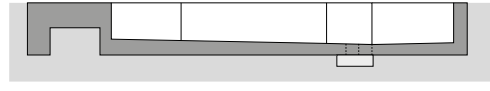
Section entrance level



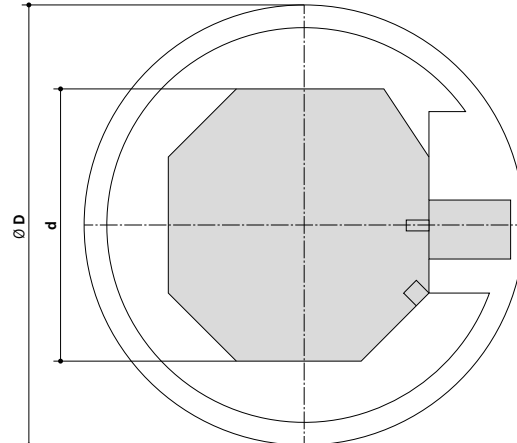
Front view of foundation



Side view of foundation



Top view of foundation

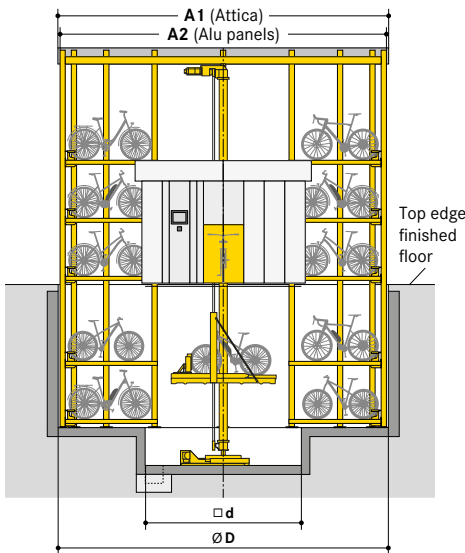


- 1** Drainage:
- customer performed pump sump with connection to the sewer system min. 40 x 40 x 40 cm
 - Roof drainage through internal downpipe to the pump sump

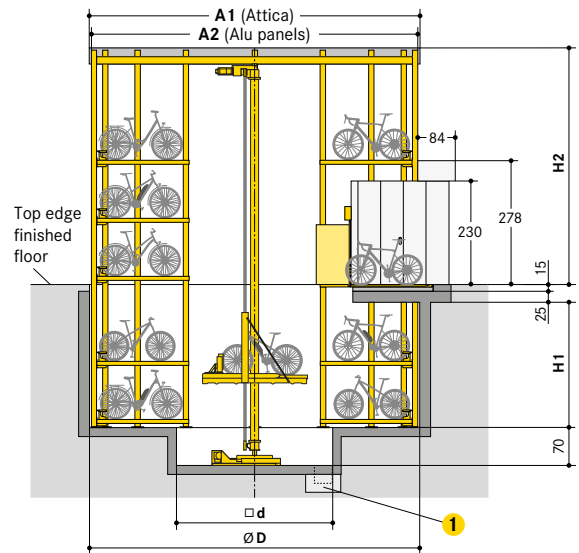
BIKESAFE 885 | Tower-Shaft system | 16 parking spaces per level

Parking levels ²	Handlebar width	Parking spaces per level	Parking spaces in total	Parking spaces 140 cm height	H1	H2	D	d	d1	d2	A1	A2
2 up 6 down	76 83	16 16	122 122	32 32	825 825	400 400	740 770	350 350	440 455	220 235	741 771	731 761
3 up 2 down	76 83	16 16	74 74	16 16	300 300	540 540	740 770	350 350	440 455	220 235	741 771	731 761
4 up 4 down	76 83	16 16	122 122	32 32	565 565	630 630	740 770	350 350	440 455	220 235	741 771	731 761
5 up 3 down	76 83	16 16	122 122	32 32	430 430	770 770	740 770	350 350	440 455	220 235	741 771	731 761
6 up 2 down	76 83	16 16	122 122	32 32	300 300	910 910	740 770	350 350	440 455	220 235	741 771	731 761

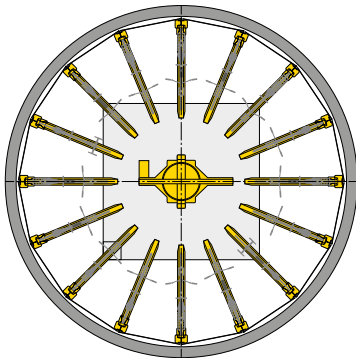
Front view



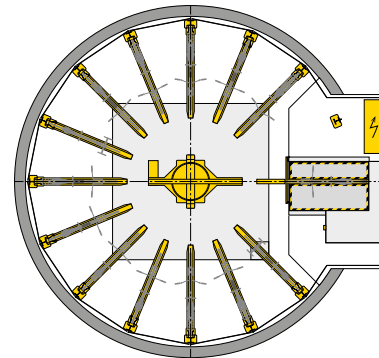
Side view



Section parking level



Section entrance level



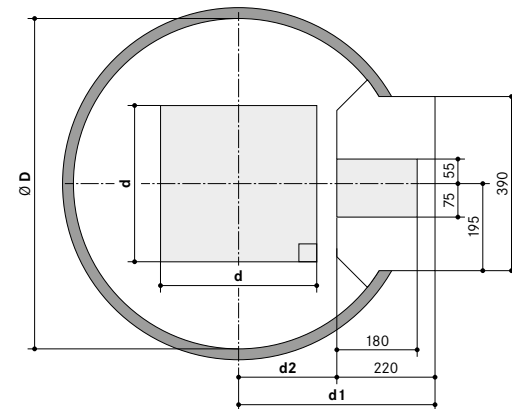
- 1** Drainage:
 - customer performed pump sump with connection to the sewer system min. 40 x 40 x 40 cm
 - Roof drainage through internal downpipe to the pump sump

2 Parking levels:

	2 up 6 down	3 up 2 down	4 up 4 down	5 up 3 down	6 up 2 down
6 up					
5 up					
4 up					
3 up					
2 up					
1 up*					
1 down					
2 down					
3 down					
4 down					
5 down					
6 down					

*Entrance level

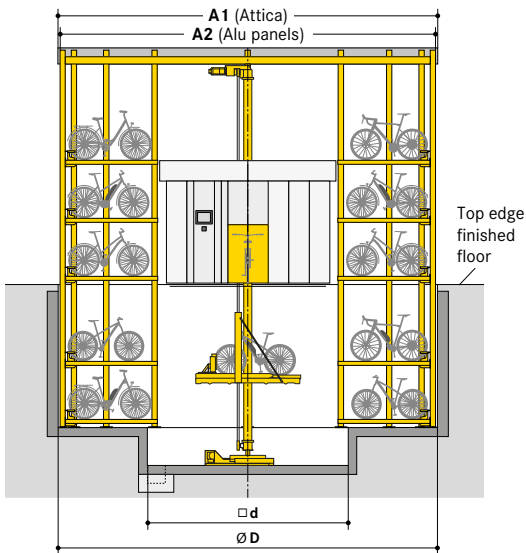
Top view of foundation



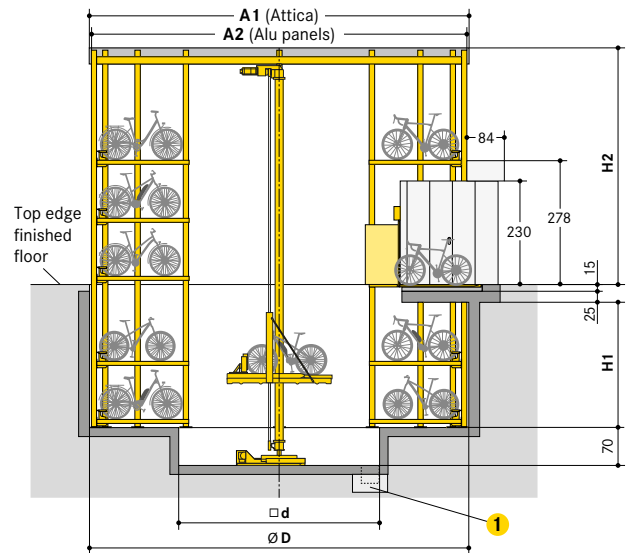
BIKESAFE 885 | Tower-Shaft system | 20 parking spaces per level

Parking levels ²	Handlebar width	Parking spaces per level	Parking spaces in total	Parking spaces 140 cm height	H1	H2	D	d	d1	d2	A1	A2
2 up 6 down	76	20	152	40	825	400	850	450	495	275	851	841
3 up 2 down	83	20	152	40	825	400	890	500	515	295	891	881
4 up 4 down	76	20	92	20	300	540	850	450	495	275	851	841
5 up 3 down	83	20	92	20	300	540	890	500	515	295	891	881
6 up 2 down	76	20	152	40	565	630	850	450	495	275	851	841
	83	20	152	40	565	630	890	500	515	295	891	881
	76	20	152	40	430	770	850	450	495	275	851	841
	83	20	152	40	430	770	890	500	515	295	891	881
	76	20	152	40	300	910	850	450	495	275	851	841
	83	20	152	40	300	910	890	500	515	295	891	881

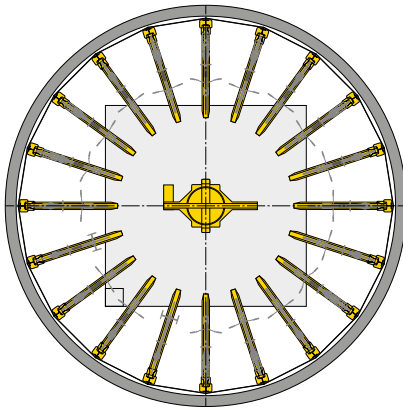
Front view



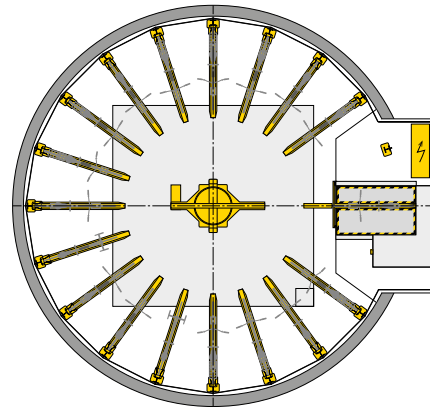
Side view



Section parking level



Section entrance level



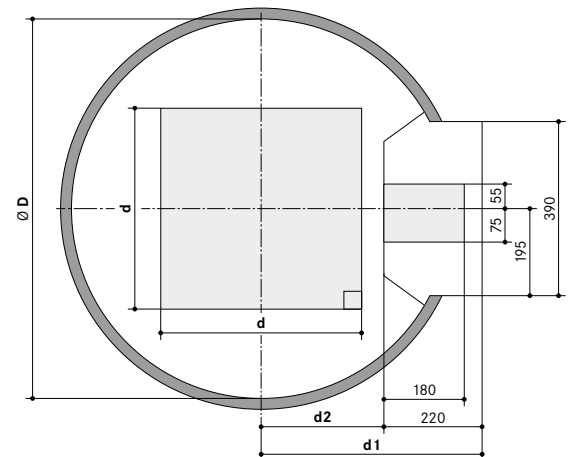
- 1** Drainage:
- customer performed pump sump with connection to the sewer system min. 40 x 40 x 40 cm
 - Roof drainage through internal downpipe to the pump sump

2 Parking levels:

	2 up 6 down	3 up 2 down	4 up 4 down	5 up 3 down	6 up 2 down
6 up					
5 up					
4 up					
3 up					
2 up					
1 up*					
1 down					
2 down					
3 down					
4 down					
5 down					
6 down					

*Entrance level

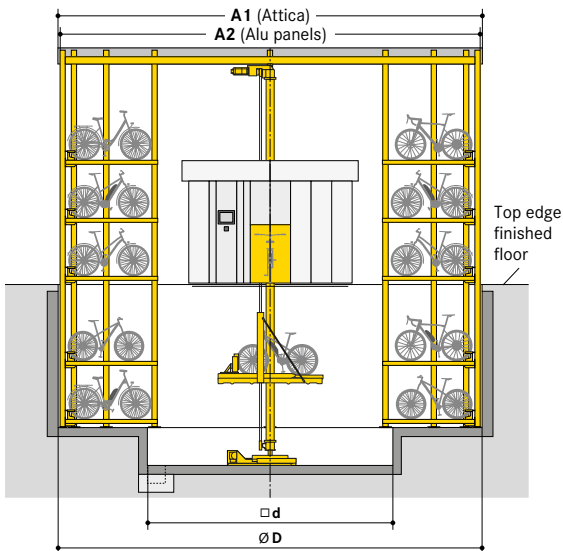
Top view of foundation



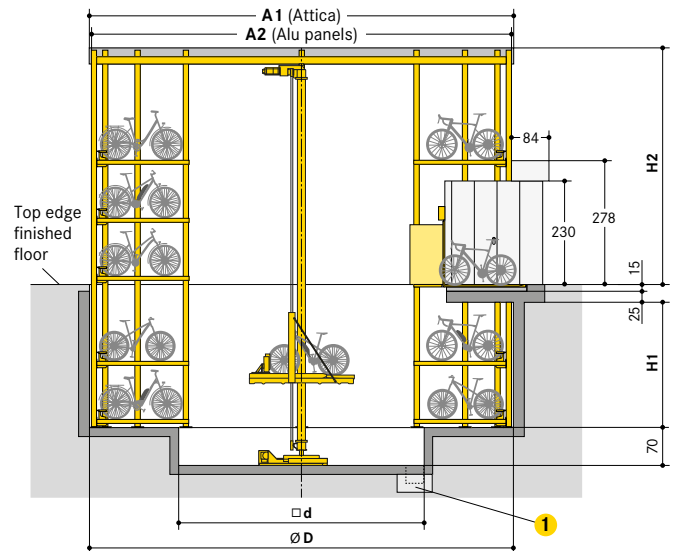
BIKESAFE 885 | Tower-Shaft system | 24 parking spaces per level

Parking levels ²	Handlebar width	Parking spaces per level	Parking spaces in total	Parking spaces 140 cm height	H1	H2	D	d	d1	d2	A1	A2
2 up 6 down	76	24	184	48	825	400	950	550	545	325	951	941
3 up 2 down	83	24	184	48	825	400	1010	600	575	355	1011	1001
4 up 4 down	76	24	112	24	300	540	950	550	545	325	951	941
5 up 3 down	83	24	112	24	300	540	1010	600	575	355	1011	1001
6 up 2 down	76	24	184	48	565	630	950	550	545	325	951	941
	83	24	184	48	565	630	1010	600	575	355	1011	1001
	76	24	184	48	430	770	950	550	545	325	951	941
	83	24	184	48	430	770	1010	600	575	355	1011	1001
	76	24	184	48	300	910	950	550	545	325	951	941
	83	24	184	48	300	910	1010	600	575	355	1011	1001

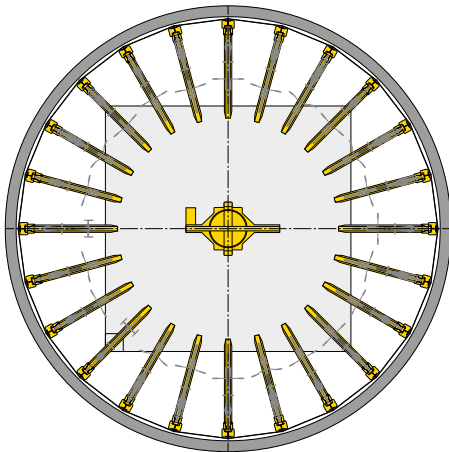
Front view



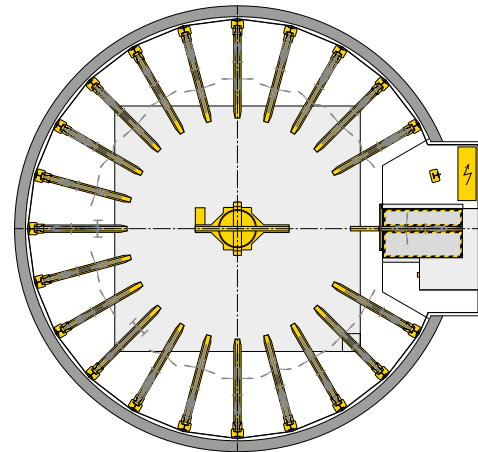
Side view



Schnitt Parkebene



Section entrance level

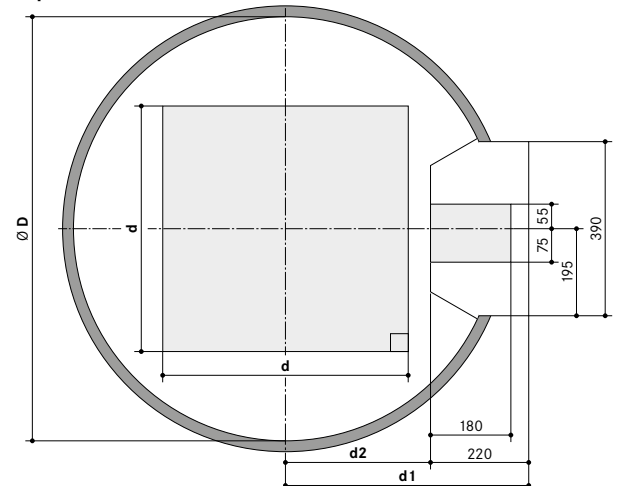


- 1** Drainage:
 - customer performed pump sump with connection to the sewer system min. 40 x 40 x 40 cm
 - Roof drainage through internal downpipe to the pump sump

- 2** Parking levels:

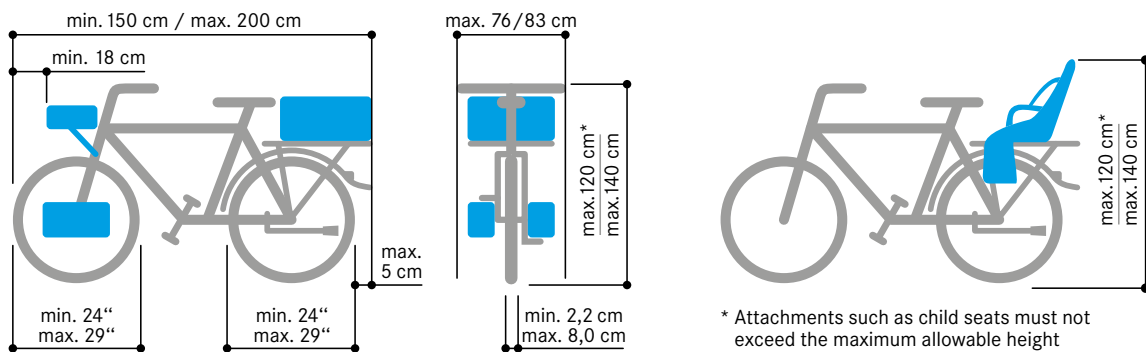
	2 up 6 down	3 up 2 down	4 up 4 down	5 up 3 down	6 up 2 down
6 up					
5 up					
4 up					
3 up					
2 up					
1 up*					
1 down					
2 down					
3 down					
4 down					
5 down					
6 down					

Top view of foundation



*Entrance level

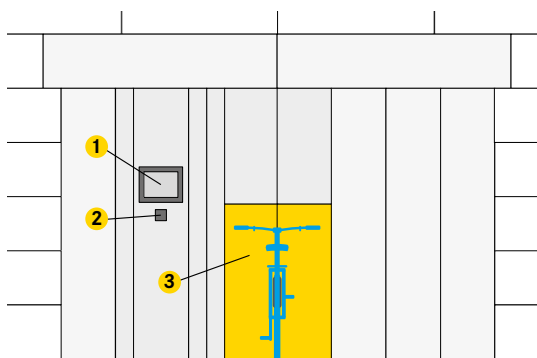
Bicycle dimensions



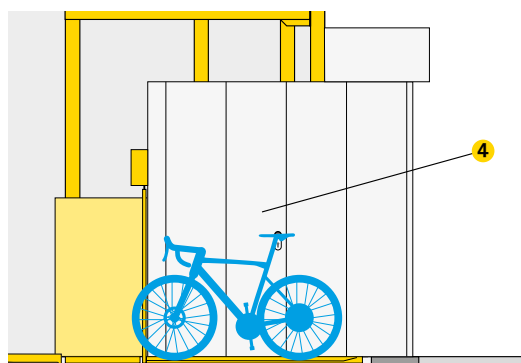
Weight (incl. bags) max. 30 kg

Transfer area

Front view

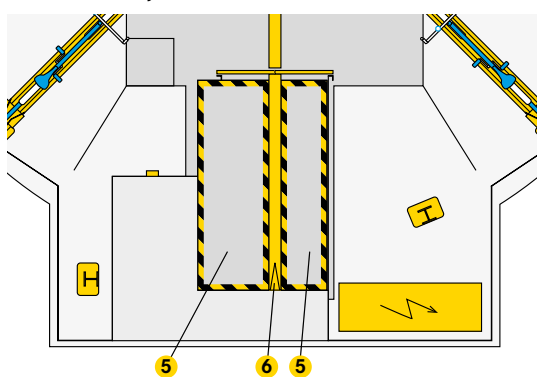


Side view



Top view

View without bicycle

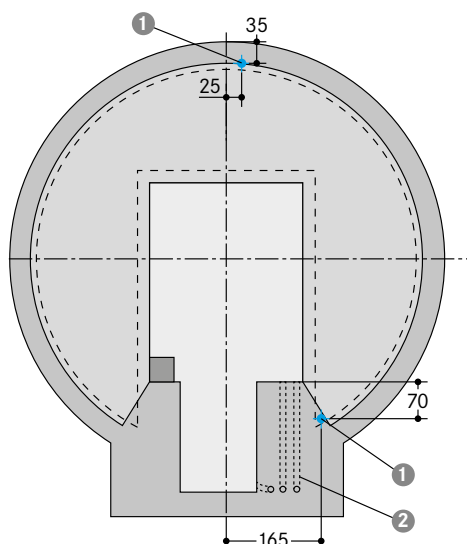


- 1 Display for user guidance
- 2 Contactless reading field for RFID chips
- 3 Sliding door incl. light barriers for height, length and width measurement
- 4 Maintenance door
- 5 Step mat
- 6 Wheel track with weight sensors

All dimensions in cm

Notes and directions

Electrical data (performed by the customer)



All dimensions cm

- ① Equipotential bonding (performed by the customer)
- ② Empty conduits for DSL and electrical connection cables (performed by the customer)

Power connection (performed by the customer):

- 3 Phases + N + PE, (TN-S grid), 400 V, 50 Hz

Electrical fuse protection (performed by the customer):

- operating class gL/gG (3 x 50 A) -K slow-blow

Internet connection (performed by the customer):

- router for remote diagnostics (DSL or ADSL connection in the switch cabinet area)

Equipotential bonding (performed by the customer):

- compliant to DIN EN 60204

Operation

- access authorisation for storing and retrieving bicycles via RFID chip
- further operating concepts are possible, please consult with WÖHR

Temperature

- system operating range: -10° to +40°C
- humidity: 50% at +40°C
- if use in deviating temperature ranges is planned, constructive adjustments may be necessary (please consult with WÖHR)

Declaration of conformity



The parking systems are compliant to:
- EC Machinery Directive 2006/42/EC

Maintenance

- WÖHR and all the WÖHR partners abroad provide an installation and customer service network
- regular, annual maintenance is provided subject to the stipulation of a maintenance agreement

Prevention of corrosion damage

- zinc-plated parts, components and platforms are to be kept clean of dirt, road-salt and any other debris (due to corrosion hazards)

Corrosion protection

- corrosivity category C3 moderate (inside: production rooms with high degree of damp and some air pollution or outside: urban and industrial atmosphere, moderate pollution by sulphur dioxide. Coastal areas with low salt content).

Dimensions

- all dimensions specified are the minimum, finished dimensions
- tolerances must be taken into consideration
- all dimensions are given in cm

Construction alterations and/or modifications

- the right to construction or model modifications and/or variations is hereby reserved
- the right to any subsequent part modification and/or variation and amendments in procedures and standards due to technical and engineering progresses or due to environmental regulation changes is also hereby reserved

Façade design

- aluminium panels (RAL 9006, RAL CLASSIC catalogue)
- standard RAL colours are available on request
- glass façade possible at extra cost
- other designs on request (e.g. for advertising spaces or façade/roof greening)

Lighting

- lighting of the transfer area with 300 lux and motion detectors is included in the scope of delivery in accordance with the standardised specifications

Fire safety

- fire brigade access can be installed if required; please consult WÖHR.
- legal requirements for fire protection must be agreed with the responsible authority (performed by the customer)